

# INSTALLATION MANUAL



- Type : LED lighting power supply NPF-120-20.



- **Introduction**

**NPF-120-20** is a 120W AC/DC LED driver featuring the dual modes constant voltage and constant current output. **NPF-120-20** is rated with IP67 ingress protection level and is suitable to work for a variety of applications at dry, damp, or wet locations.

- **Installation**

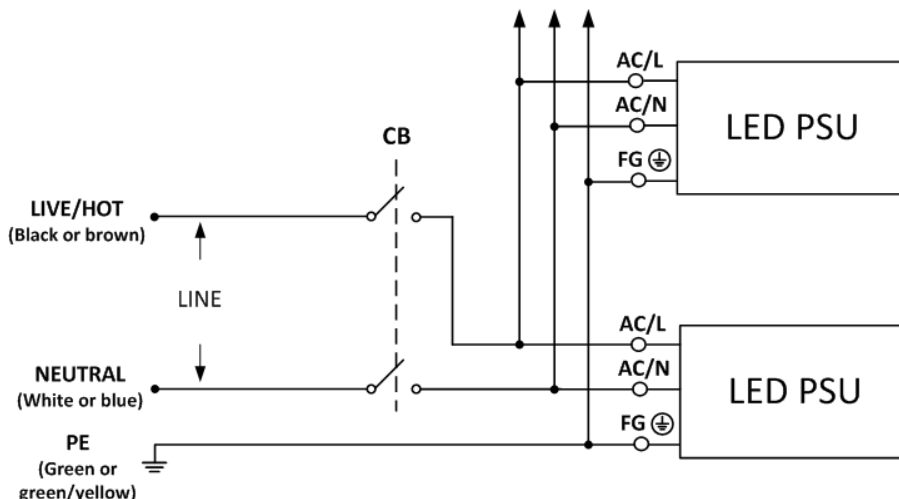
- (1) Before commencing any installation or maintenance work, please disconnect the power supply from the utility. Ensure that it cannot be re-connected inadvertently!
- (2) Keep proper ventilation around the unit and do not stack any object on it. Also a 10-15 cm clearance must be kept when the adjacent device is a heat source.
- (3) Mounting orientations other than standard orientation or operate under high ambient temperature may increase the internal component temperature and will require a de-rating in output current. Please refer to the specification sheet to receive the optimum mounting position and information about the de-rating curve.
- (4) Current rating of an approved primary /secondary cable should be greater than or equal to that of the **NPF-120-20** unit. Please refer to its specification.
- (5) For LED power supplies with waterproof connectors, verify that the linkage between the unit and the lighting fixture is tight so that water cannot intrude into the system.

Wiring: The wire color will vary by country, please refer to the table below.

- **Connection of main (input) ~230V(AC):**

	European Harmonised Standard
ACL (Live)	BROWN or BLACK
ACN (Neutral)	BLUE or WHITE

- Connect the ACL wire (black or brown) of the LED power supply to Live (black or brown).
- Connect the ACN wire (white or blue) of the LED power supply to Neutral (white or blue).



(6) The maximum number of **NPF-120-20** that can be connected to a circuit breaker at ~230V(AC) is shown as below.

Model	B 10Amp	B 16Amp
Number of <b>NPF-120-20</b>	2	4

(7) For other information about the products, please refer to [www.meanwell.com](http://www.meanwell.com) for details.

**Connection of secondary (output) =20V(DC) :**

- ( a ) Connect the red wire (V+) of the LED power supply to the positive entry of the LED light.
- ( b ) Connect the black wire (V-) of the LED power supply to negative entry of the LED light.

- **Specification**

Input voltage : ~90-305V(AC)  
Input current: 0,3A/~260V(AC)  
Output voltage: =20V(DC)  
Output current: 6A  
Power: 120W  
Constant output voltage: =12 to =20V(DC)  
Working temperature : -40°C à +85°C (Enclosure temperature)  
Safety standard : EN61347-1/-2-13  
EMC standard : EN61000-3-2 classe C, EN61000-3-3, EN55015, EN61547, EN61000-4-2/3/4/5/6/8/11

- **Warning / Caution !!**

- 1) Risk of electrical shock and energy hazard. All failure should be examined by a qualified technician. Please do not remove the case of the power supply by yourself!
- 2) Risk of irreparable damage. LED power supplies **NPF-120-20** with IP67 index must be located indoors or in a location where these units can be sheltered from the rain if outdoors. All products cannot be in water.
- 3) Please do not install LED power supplies **NPF-120-20** in places with high ambient temperature or close to fire source. Please refer to the specifications about the maximum ambient temperature limitations.
- 4) Output current and output wattage must not exceed the rated values on the specifications.

Find all the technical information of the product on the manufacturer's website:

<https://www.meanwell.com/webapp/product/search.aspx?prod=NPF-120>

